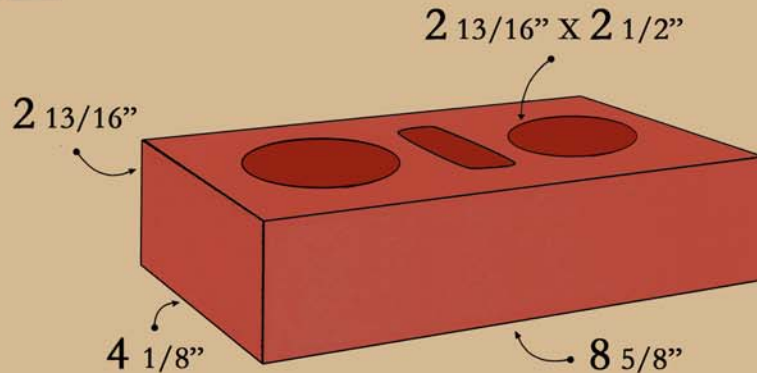


# SUPER QUEENSIZE BRICK



APPROXIMATE WEIGHT: 4.6 LBS PER UNIT

Summit Brick & Tile Co. would like to offer a new solution to your building needs. Our Super Queensize Brick have a pleasing face in scale with traditional modular size brick; furthermore, they are steel reinforceable and an excellent choice in our RBFS system. They also provide you with a great reinforced wall material, allowing you to build a beautiful fence around your home or even a one-of-a-kind sound barrier and privacy wall for your community.

Super Queensize Brick automatically half bond at the corner of a building or wall and require only five units per square foot. They are available in five contemporary colors and bond beam units are available.

- PERMANENCE
- NATURAL COLORS
- NO MAINTENANCE
- INCREASED RESALE VALUE
- REDUCED HEATING AND COOLING COSTS
- IMPROVED SAFETY, REDUCED FIRE DANGER

## AVAILABLE IN:

326GG COTTONWOOD  
417B MONTGOMERY  
684B SAVANNAH

379GP CHERRY BLOOM  
576GG LONDON MIST