

# THIN BRICK



*Sparrow Hospital  
Lansing, MI*



*Arboretum Lakes Building 1  
Carol Stream, IL*



*Target Store  
Brighton, MI*



# Applications for Endicott thin brick are limited only by the imagination.

Endicott thin brick is ideally suited to year-round commercial, residential and remodeling applications.

Genuine, kiln-fired thin brick possesses all the durability and unparalleled elegance of Endicott face brick, yet when installed, maximizes space and weighs considerably less.

## Installation Techniques

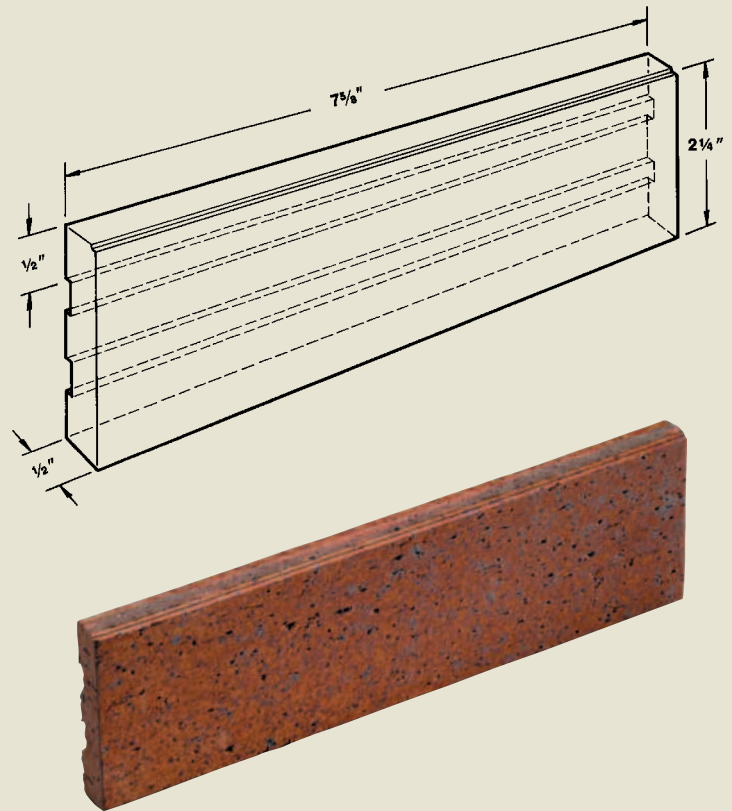
Whether it is a new construction or remodeling project, Endicott thin brick may be applied over any structurally sound substrate. And, because no footings or supports are required, the thin brick may extend all the way to grade.

There are a number of substrate panels and prefabricated wall panel systems available to the industry that can receive the thin brick as factory or job site applied.\*

Reputable installation system suppliers have literature that you may obtain for review regarding project applicability.

The standard Endicott thin brick unit size is 2 1/4" x 7 5/8". Additional unit sizes—3 5/8" x 7 5/8"; 7 5/8" x 7 5/8"; 3 5/8" x 11 5/8"; 2 1/4" x 11 5/8"—can, however, be specified for special applications. Endicott thin brick has been tested according to ASTM C1088 specifications and meets Type TBX requirements.

To fully complement the installation process, Endicott also offers all necessary trim units.



Arboretum Lakes Building 2  
Carol Stream, IL



Private Residence  
Central City, NE

\* Code requirements vary from one municipality to the next. Check with your local Code Authority and Engineer for certification of system prior to the start of application.

# THIN BRICK TEXTURES

To add depth and character, select from these thin brick textures:



*Sand Finish*



*Sand Heritage*



*Smooth*



*Wirecut*



*Velour*

# *Enter a new, aesthetically beautiful dimension.*

*A myriad of project applications are majestically enhanced by this array of Endicott thin brick colors:*



*DESERT IRONSPOT—Smooth Texture*



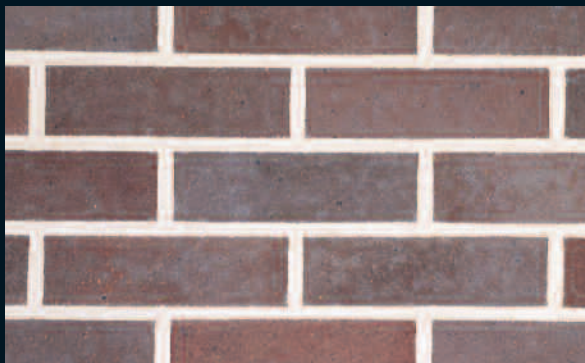
*MANGANESE IRONSPOT—Wirecut Texture*



*MEDIUM IRONSPOT #46—Wirecut Texture*



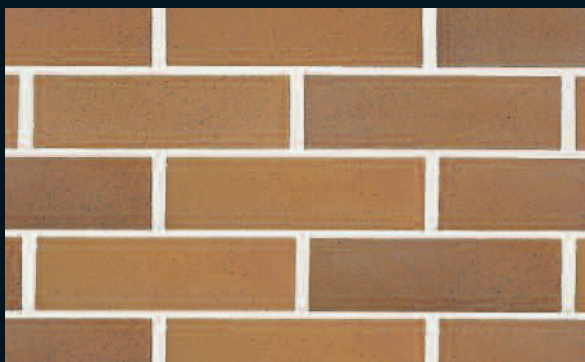
*ROSE BLEND—Wirecut Texture*



*DARK IRONSPOT—Smooth Texture*



*COPPERTONE—Wirecut Texture*



*MEDIUM IRONSPOT #77—Smooth Texture*



*RED IRONSPOT—Wirecut Texture*



*AUTUMN SANDS*



*DESERT SANDS*



*BROWN SANDS*



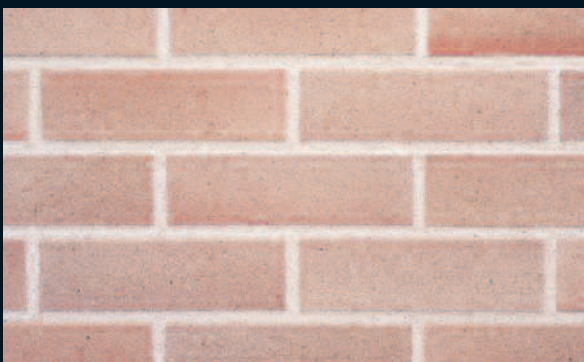
*GREY SANDS*



*SAHARA SANDS*



*BURGUNDY SANDS*



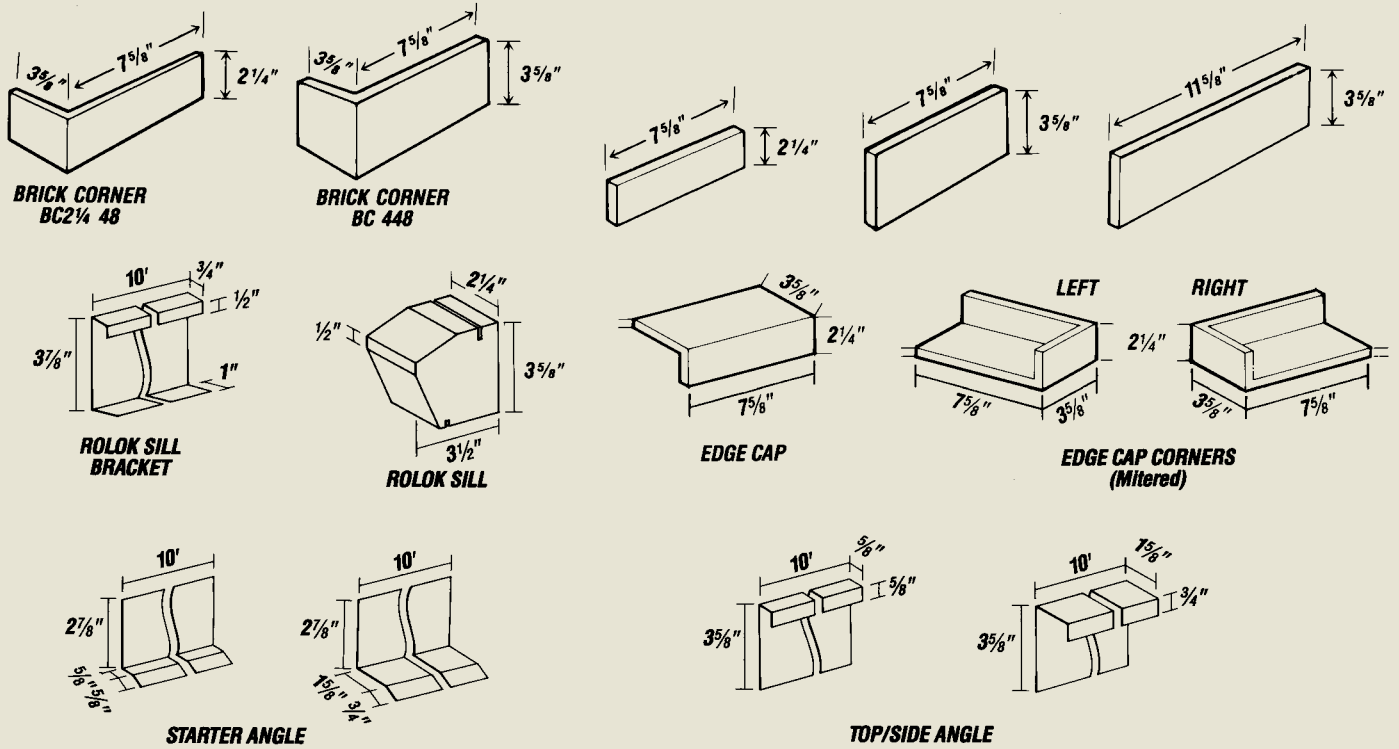
*ORLEANS SANDS*



*MERLOT SANDS HERITAGE*

# THIN BRICK SIZES AND TRIM UNITS

To enhance in-place installation, Endicott thin brick features a distinct keyback design that provides a mechanical lock into the concrete for maximum durability and permanence. All materials are tested according to ASTM C1088, and meet requirements for Type TBX, Exterior Grade. Testing data is available upon request.



## ESTIMATING DATA

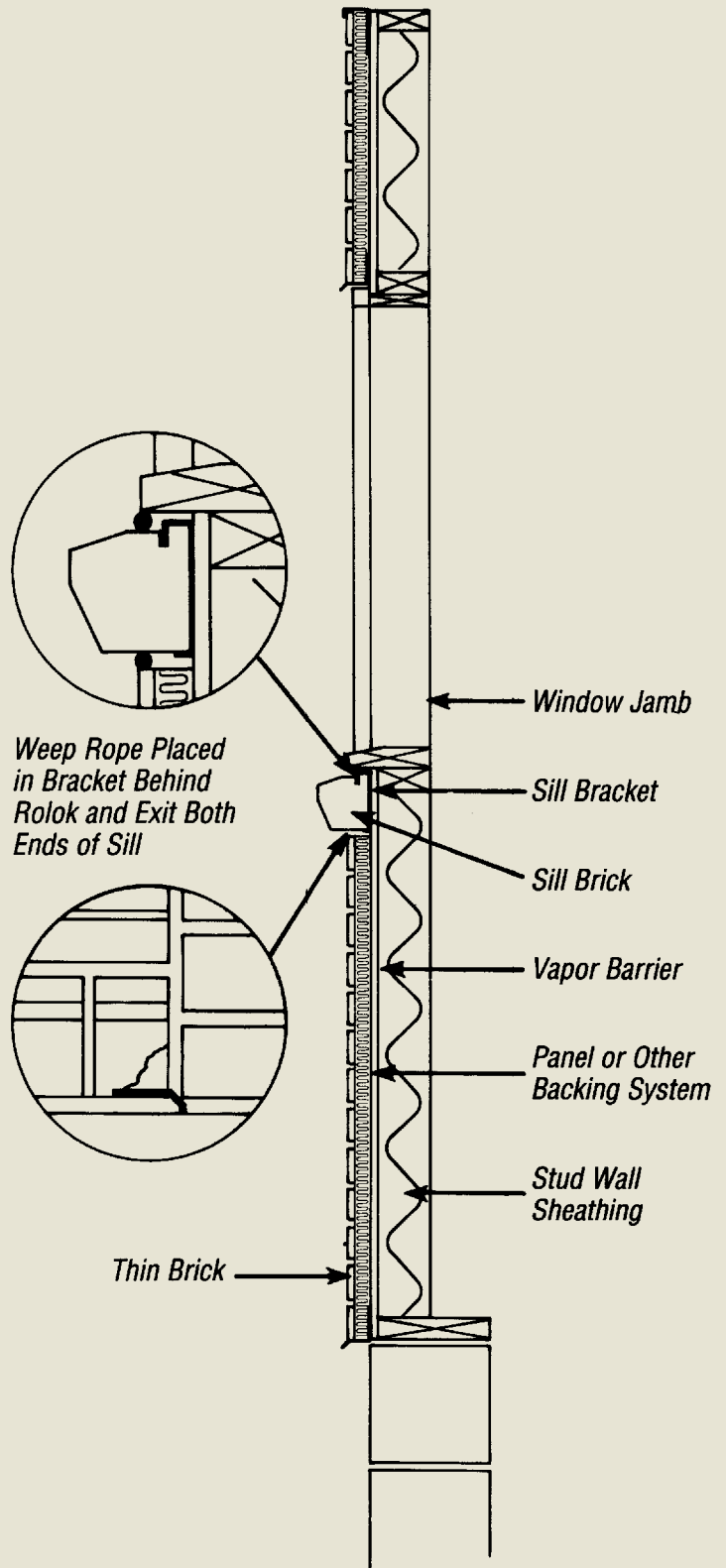
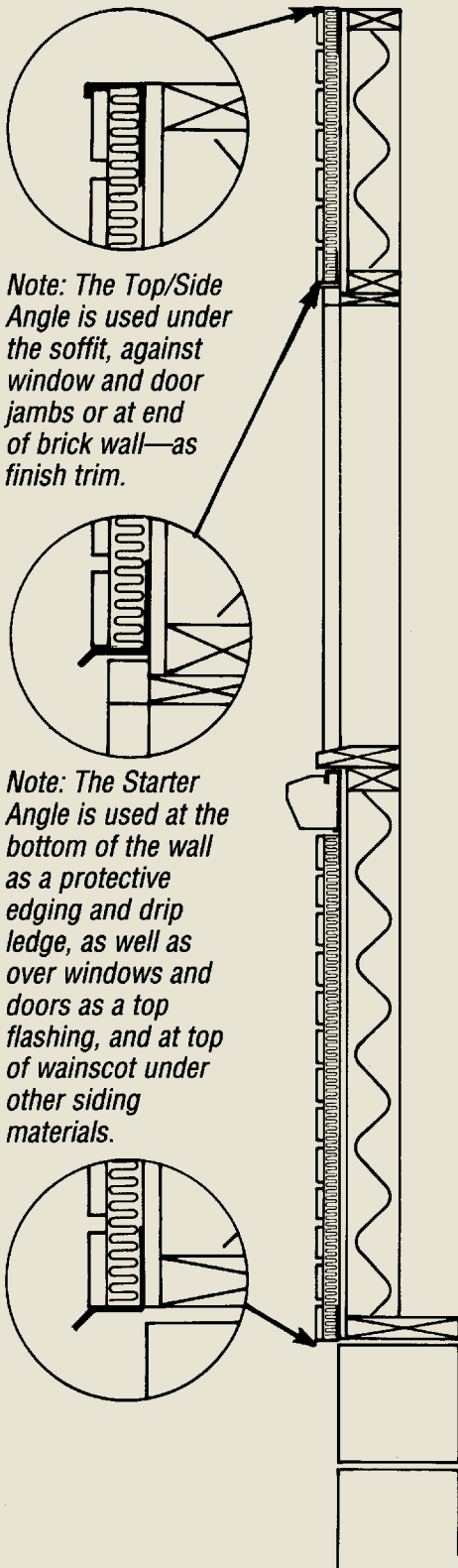
$\frac{1}{2} \times 2\frac{1}{4} \times 7\frac{5}{8}$	- 6.86 pcs./sq. ft.	Edge Cap	- 1.50 pcs./lin. ft.
$\frac{1}{2} \times 3\frac{5}{8} \times 7\frac{5}{8}$	- 4.50 pcs./sq. ft.	Edge Cap - 3 Sided	
$\frac{1}{2} \times 3\frac{5}{8} \times 11\frac{5}{8}$	- 3.00 pcs./sq. ft.	Left/Right	- 1.00 pc./corner
Corners (2 1/4")	- 4.50 pcs./lin. ft.	Rolok Sill	- 4.50 pcs./lin. ft.
Corners (3 5/8")	- 3.00 pcs./lin. ft.		

## METRIC CONVERSION

	Imperial	Soft (mm)	Hard (mm)
$\frac{1}{2} \times 2\frac{1}{4} \times 8$	$\frac{1}{2} \times 2\frac{1}{4} \times 7\frac{5}{8}$	12.5 x 57 x 194	12.5 x 57 x 190
$\frac{1}{2} \times 4 \times 8$	$\frac{1}{2} \times 3\frac{5}{8} \times 7\frac{5}{8}$	12.5 x 92 x 194	12.5 x 90 x 190
$\frac{1}{2} \times 4 \times 12$	$\frac{1}{2} \times 3\frac{5}{8} \times 11\frac{5}{8}$	12.5 x 92 x 295	12.5 x 90 x 290

**Soft Conversion:** A simple mathematical calculation (inches x 25.4 = mm) that changes Imperial dimension (inches) to metric (millimeters).  
**Hard Conversion:** Actual physical changes in dies and equipment to produce metric dimensions (millimeters).

# THIN BRICK CONSTRUCTION DETAILS



---

*For complete thin brick information and samples, contact  
Endicott Tile LLC today.*

***Endicott Tile LLC***

*Post Office Box 645  
Fairbury, Nebraska 68352  
402/729-3323 FAX: 402/729-5804  
email: [endicott@endicott.com](mailto:endicott@endicott.com)  
[www.endicott.com](http://www.endicott.com)  
Printed in U.S.A.*

